

## SGX-1920L

### High Resolution LCD Controller Board

**Key Features :**

- > 10-bit, 1920 x 1200
- > Dual Digital Picture In Picture
- > RS-232. Ethernet Control
- > Low Profile

The SGX-1920L is a fully buffered multi-sync controller which provides 2x ARGB, 4x Composite and 2x HDMI input support for a wide range of TFT LCD panels up to WUXGA resolution.

A true 10-bit board that gives 10-bit color depth on a 10-bit panel.

The board features full screen image expansion, on screen PIP, image marker and supports an option 3G HD-SDI converter board (HD-3000) through the HDMI port for professional and broadcast video applications.

#### Panel Connectivity

1920 x 1200	1440 x 900	1024 x 768
1920 x 1080	1366 x 768	800 x 600
1680 x 1050	1280 x 1024	800 x 480
1600 x 1200	1280 x 768	640 x 480

#### Input

<b>Analog RGB:</b>	60Hz at WUXGA, UXGA 75Hz at SXGA, WXGA, XGA, SVGA, VGA With auto detect of Digital Separate Sync, Sync-On-Green & Composite Sync. Auto detects VGA-WUXGA, interlaced & non-interlaced
<b>HDMI x2:</b>	60Hz at WUXGA 75Hz at SXGA, WXGA, XGA, SVGA, VGA 1080p, 1080i, 720p, 576p, 480p
<b>Composite x4:</b>	NTSC /PAL/SECAM (Interlaced) Composite Video, S-video SD Component (YCbCr) HD Component (YPbPr)

#### Reliability

Calculated Mean Time Between Failures In excess of 100,000 hours.  
Warranty: 3 years.

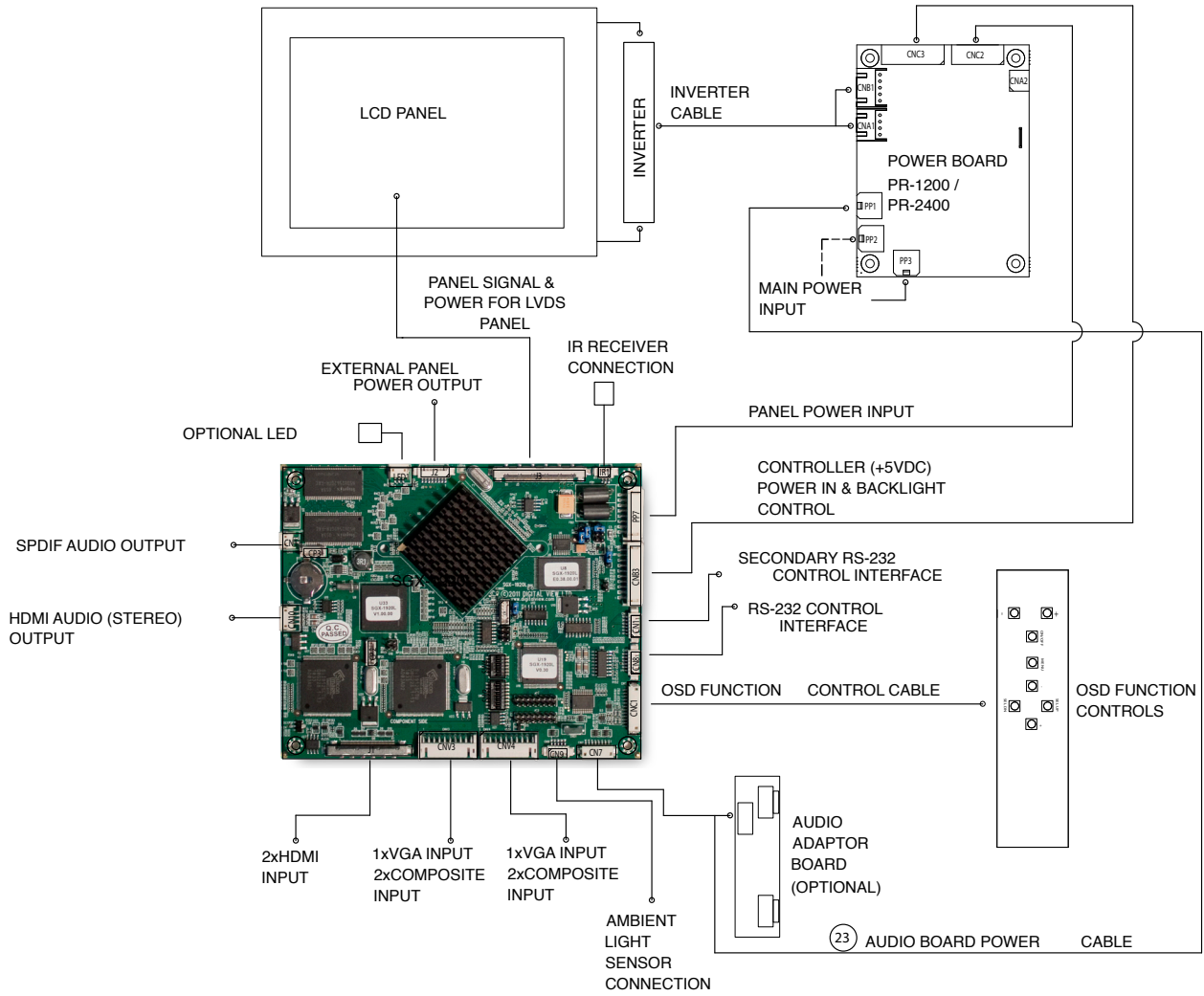
#### Features

<b>Colors:</b>	Up to 10 bit per color, ie 1.06 Billion colors.
<b>Functions :</b>	On Screen Display (OSD) menu.
<b>Function Controls:</b>	External buttons, Infra-Red controls, Serial Port control, Ethernet Control
<b>Image Scaling :</b>	Up / Down scaling to fit input to panel format.
<b>Image Control :</b>	Auto configuration, Brightness, Contrast, Clock, Phase, Color temperature, Image position, Saturation, Hue, Gamma.
<b>Other Features :</b>	System Information, OSD position, Scaling to fill screen and fill to aspect ratio, OSD timeout, Factory reset, OSD menu transparency, Picture in Picture - variable position with 18 sizes selection and Picture by Picture, Programmable hot keys, Ambient light sensor.
<b>Power :</b>	+12VDC ±5%,10W
<b>Panel Power :</b>	Supports 3.3V, 5V, 12V & 18V panels.
<b>Panel Signal :</b>	Dual channel LVDS support.
<b>Inverter Support :</b>	DPMS Enable pin (3.3V or 5V)
<b>Plug &amp; Play :</b>	DDC 1,2/b compatible
<b>Status Indicator :</b>	Dual Color LED support.

# SGX-1920L

## High Resolution LCD Controller Board

### Connection Diagram



### Available Resources

- > Instruction Manual
  - > Revision Control Documentation\*\*
  - > Firmware Upgrade Manual\*\*
  - > Mechanical Drawing
- \*\* Available on Request

#### Controller Solution Generator

Already have a panel? Use this free utility to find the perfect LCD Controller to get you up and running.  
 Visit : [www.digitalview.com/csg](http://www.digitalview.com/csg)

Save time and effort for your system volumetric analysis design. Inc jpg file previews.

Please download at  
[www.digitalview.com/products/sgx-1920l-lcd-controller](http://www.digitalview.com/products/sgx-1920l-lcd-controller)

